



Original Instruction © 2007 Let's LEGO - Sachiko Akinaga.
www.lets-brick.com
design by Sachiko

The cars of “Let’s make a LEGO Town Tokyo”

Standard-Car and Van

a standard-car



a van

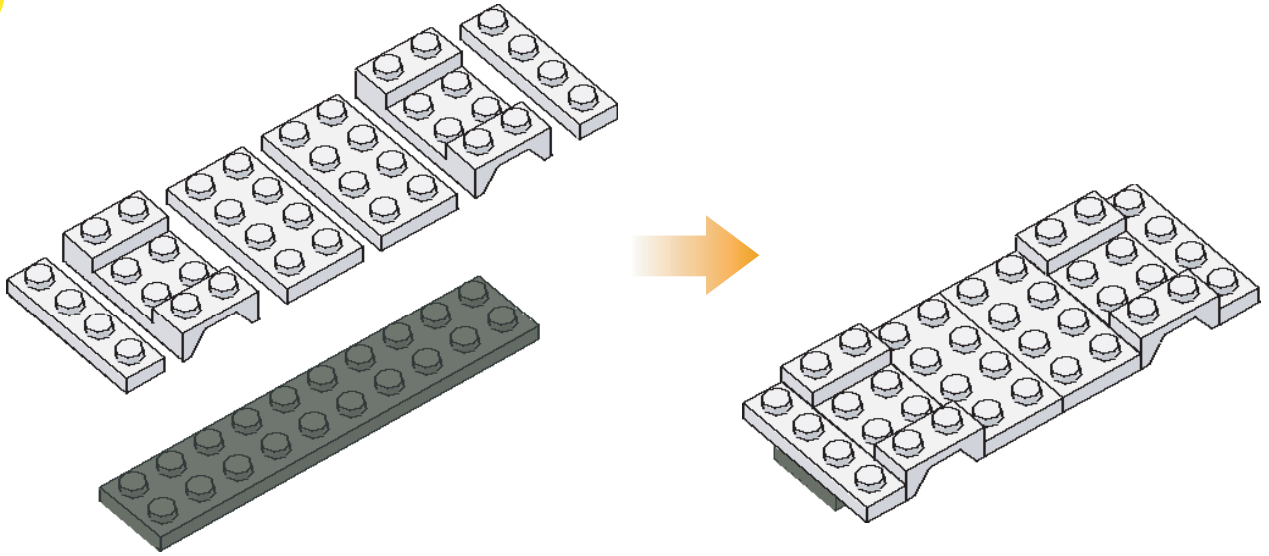


- As they are a small sized car, you cannot set a mini-figure in the car.
- This instruction is made for assembling diverse colored cars. Please try to create your original colored car, referring to the illustrations!

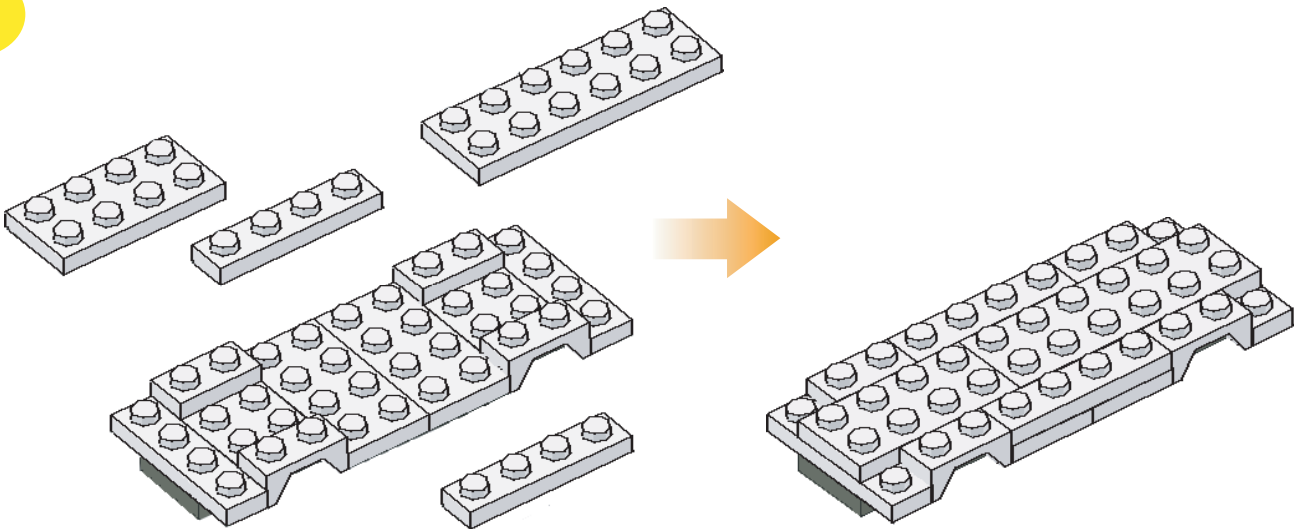
The download of this instruction is provided by Sachiko Akinaga of “Let's LEGO” with the purpose of enjoying the LEGO at the individual level. Therefore, any unauthorized act related to the right of authorship, such as to display it, to post it, to copy it, to sell it, and to use it, is completely prohibited under any circumstances without owner's permission.



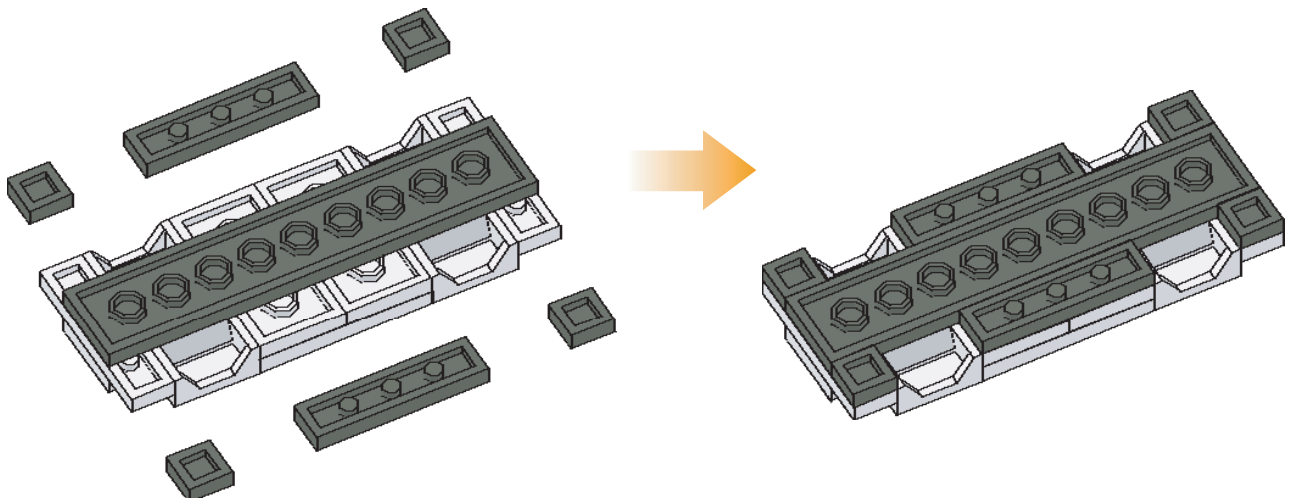
1



2

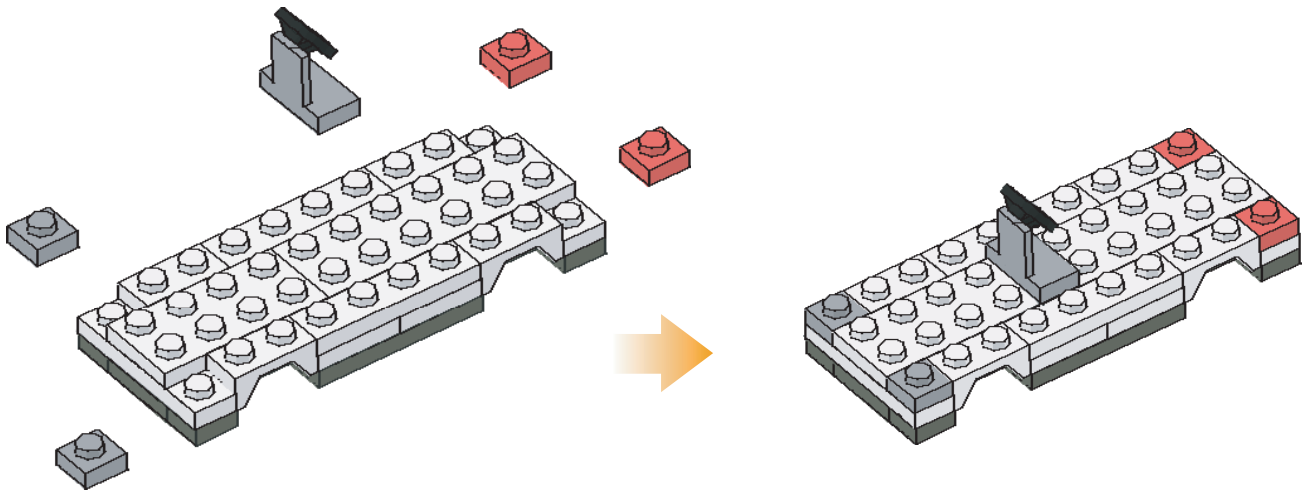


3

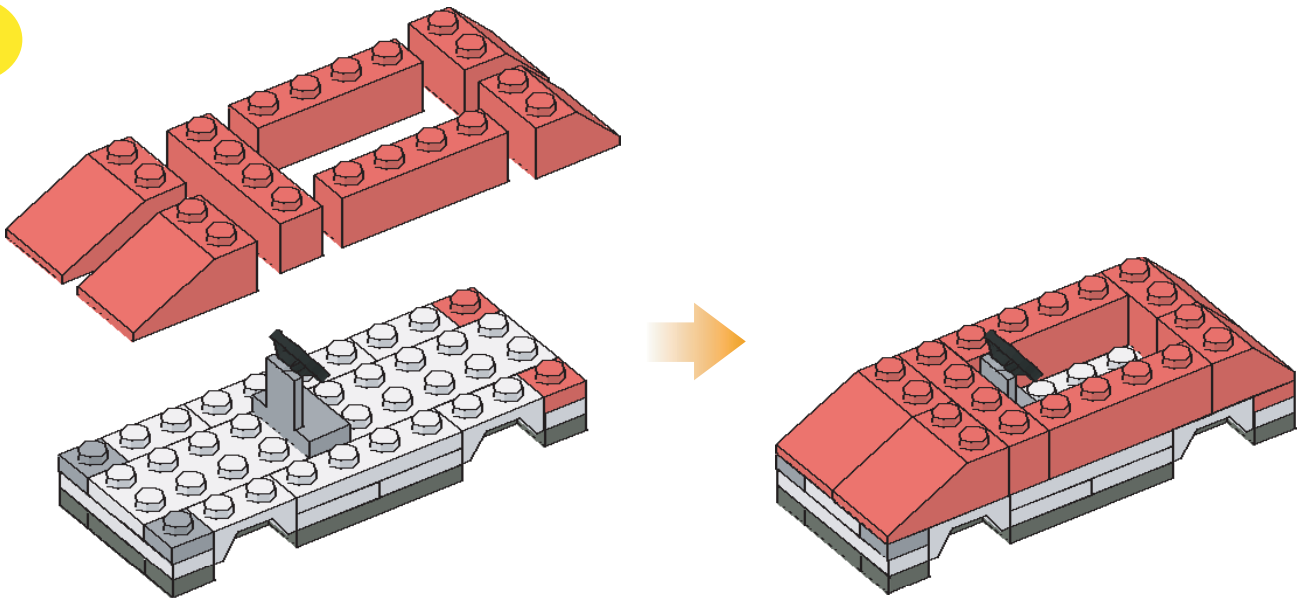




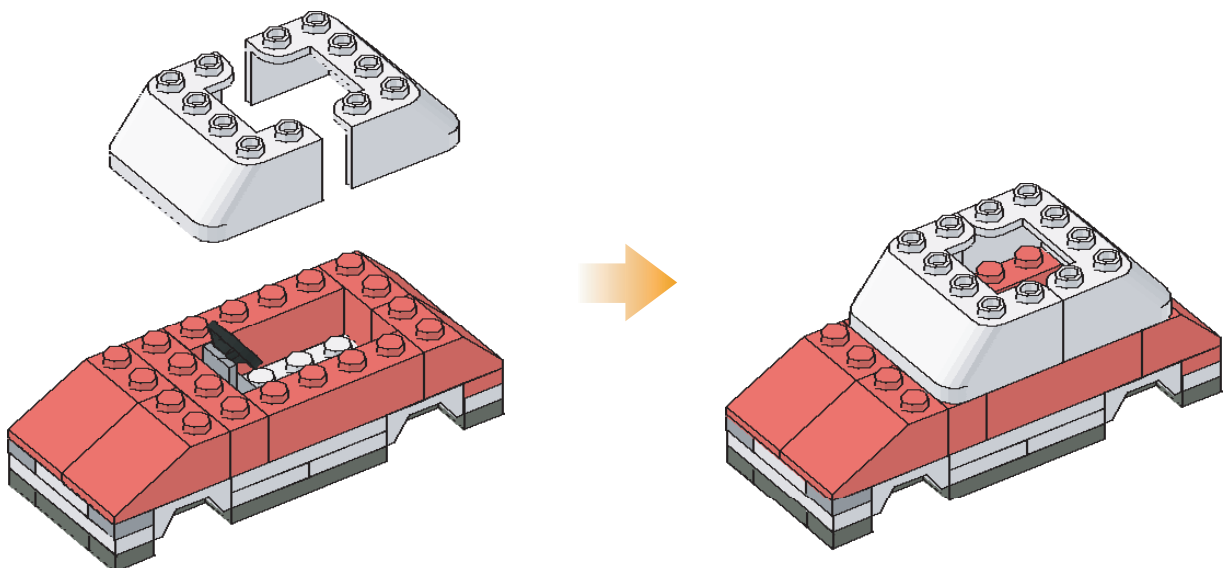
4



5

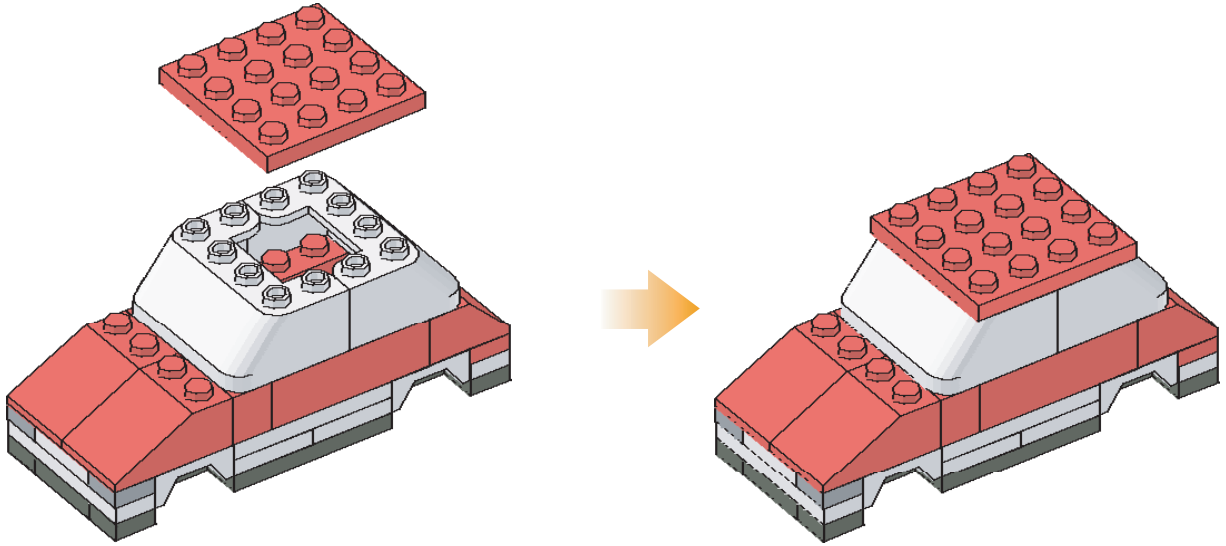


6





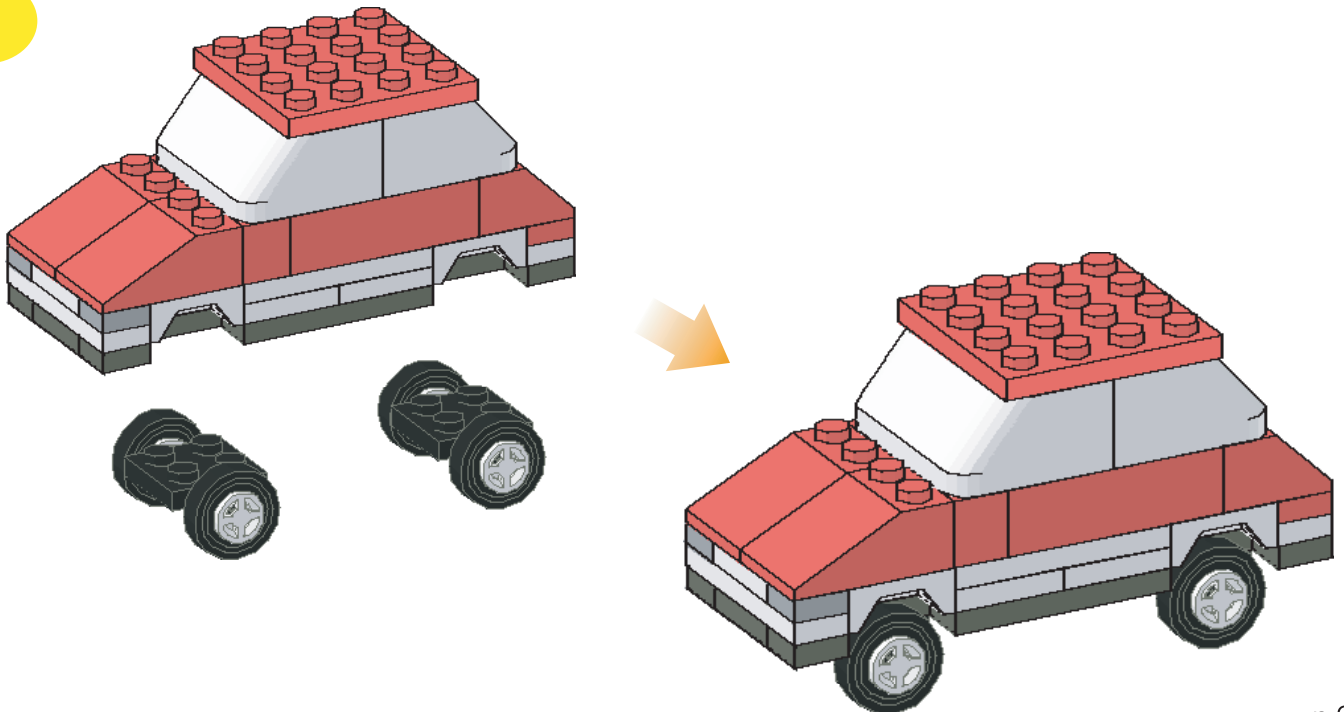
7



8

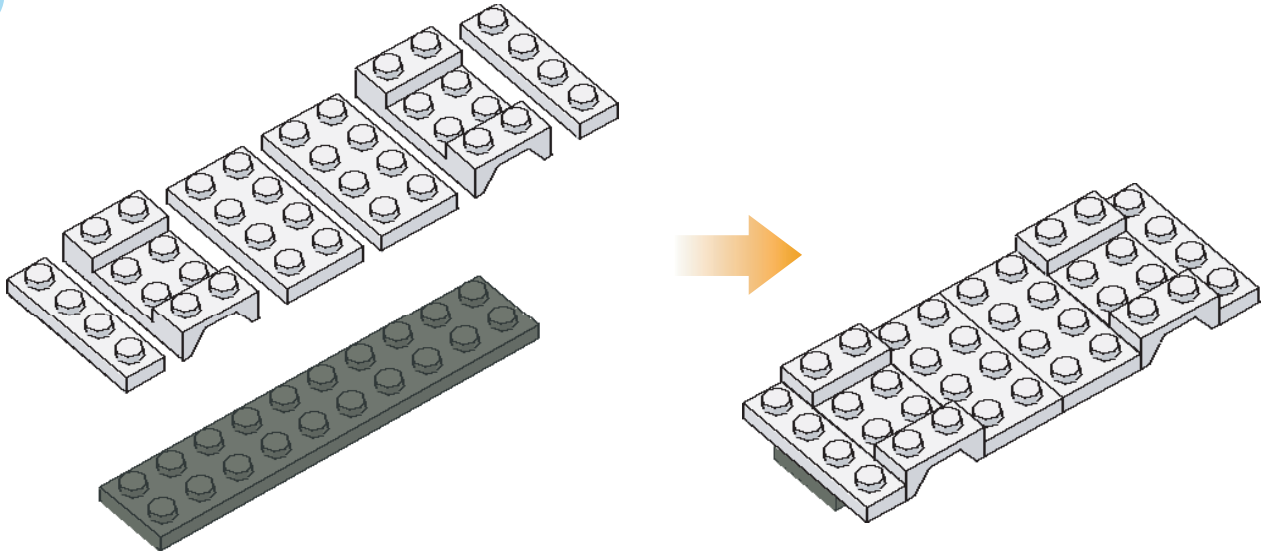


9

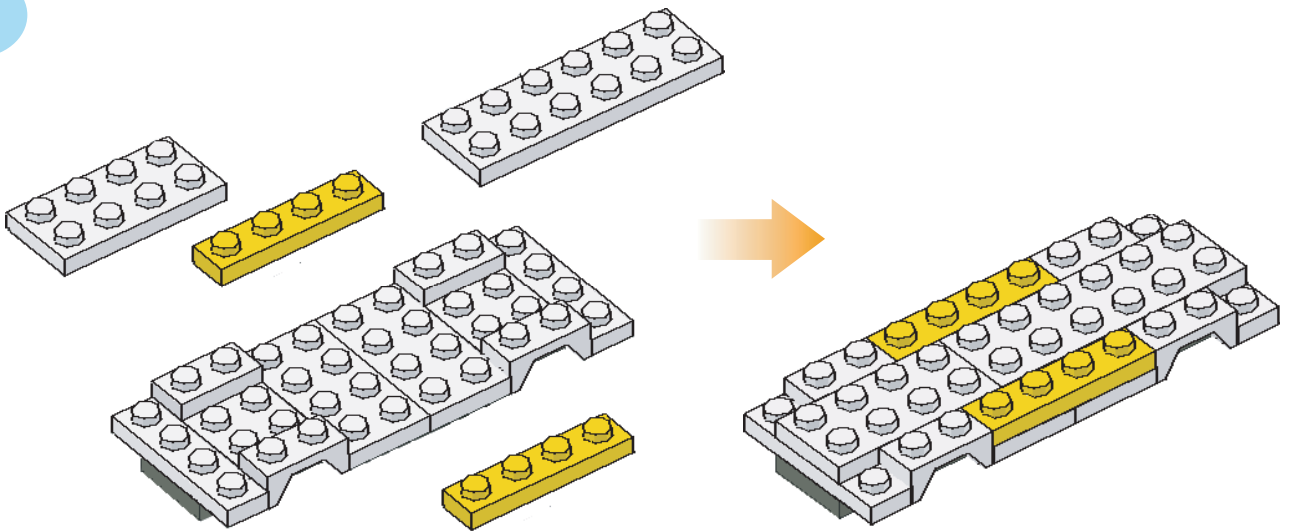




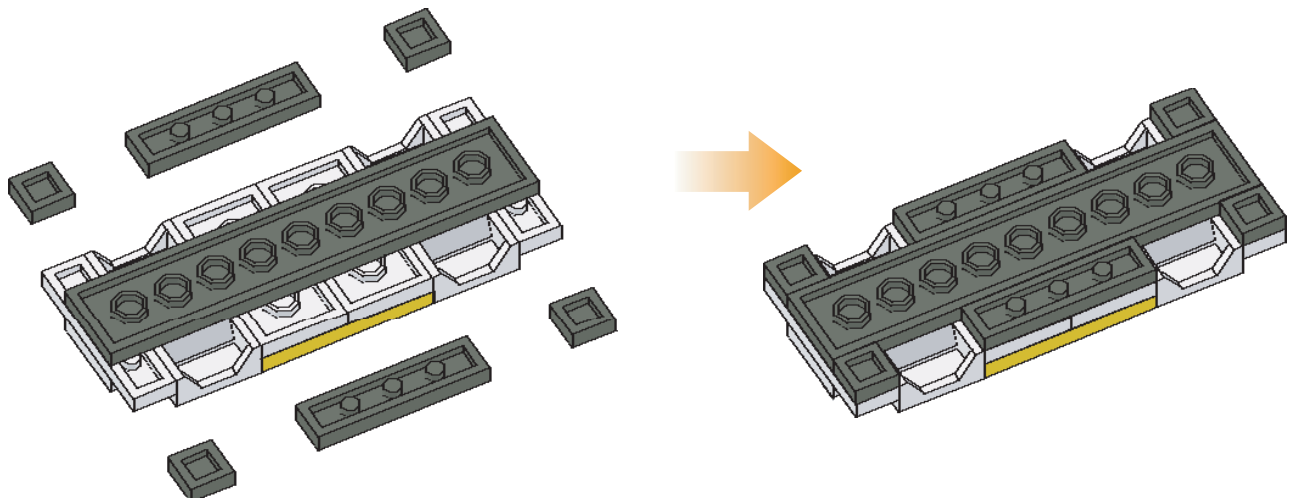
1



2

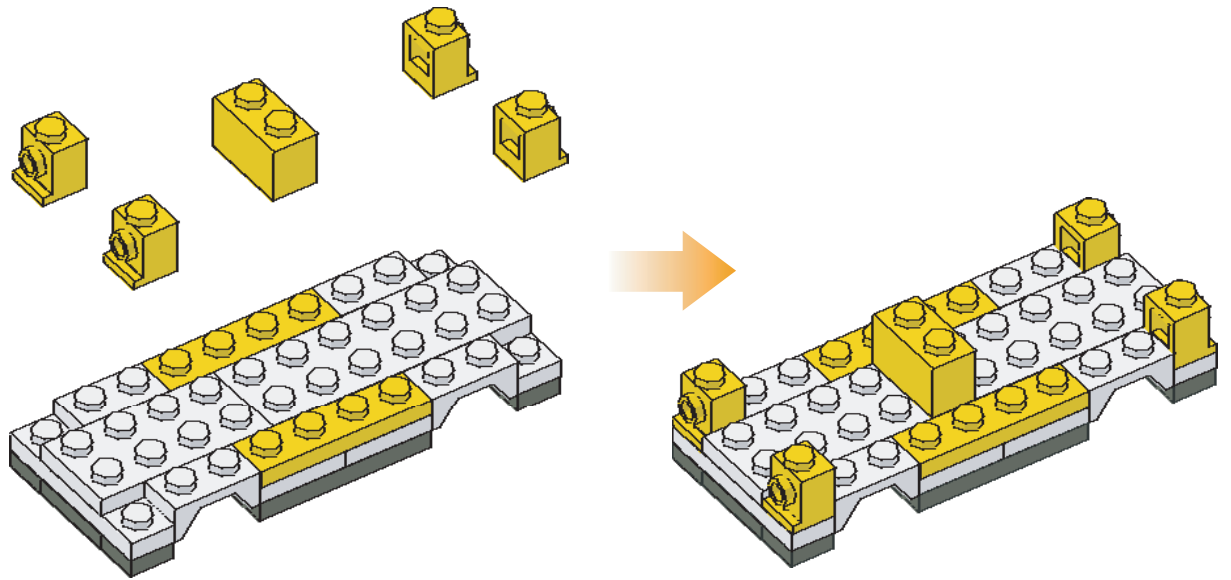


3

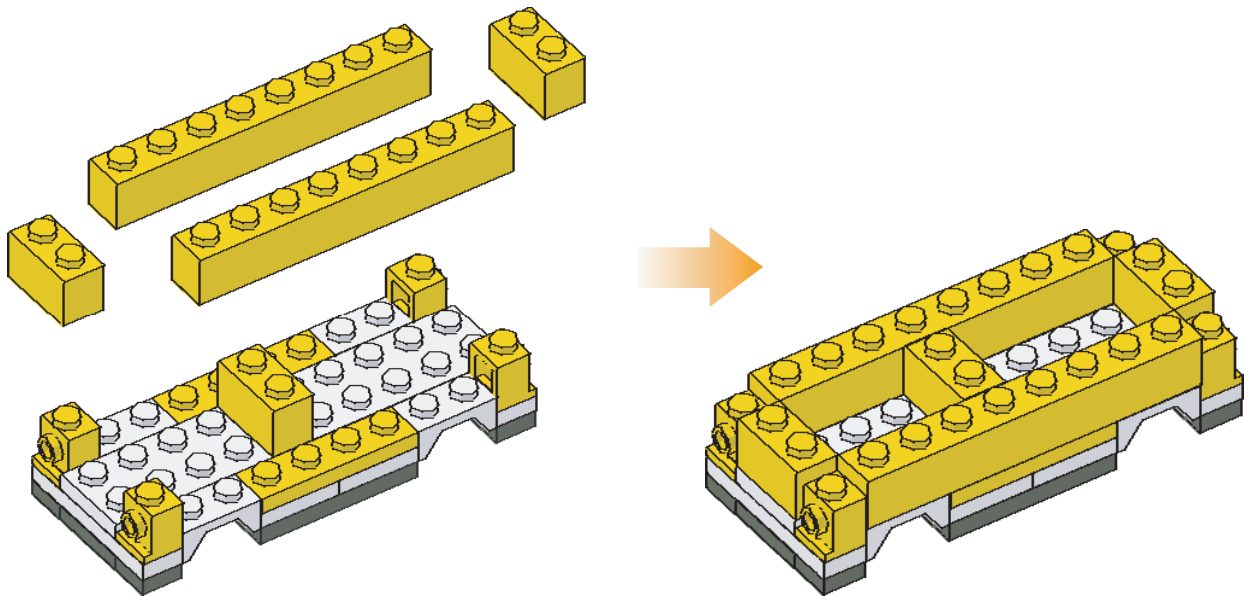




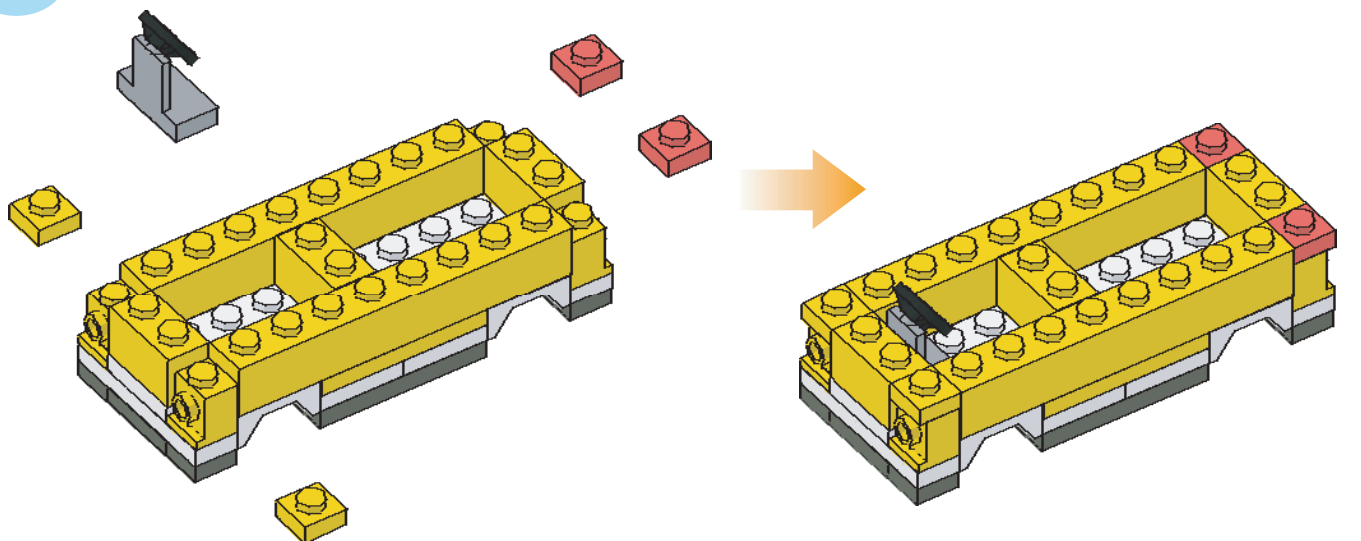
4



5

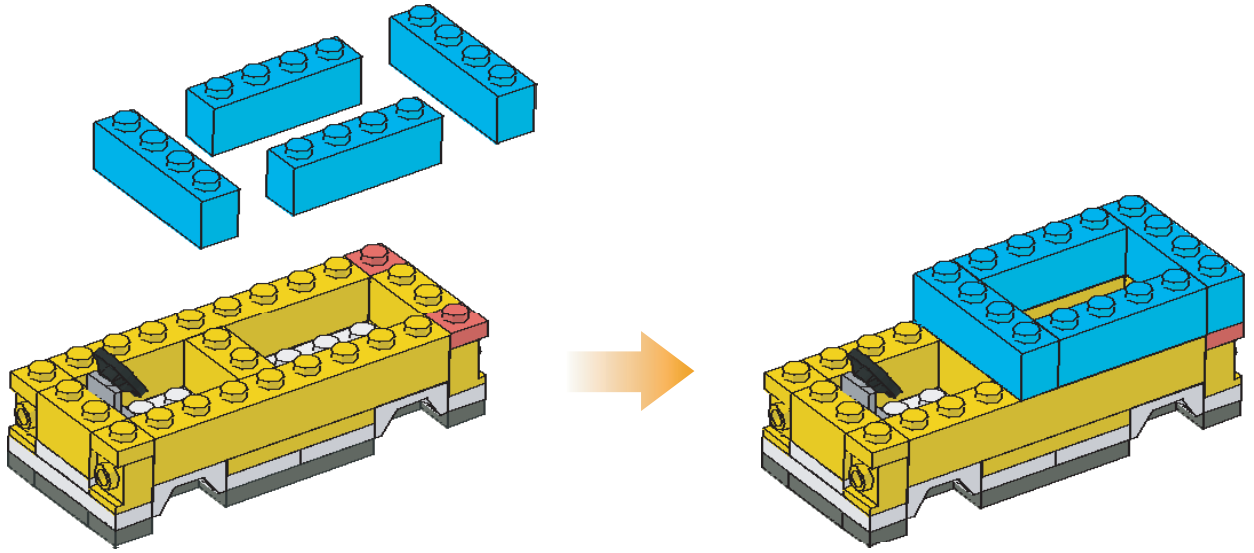


6

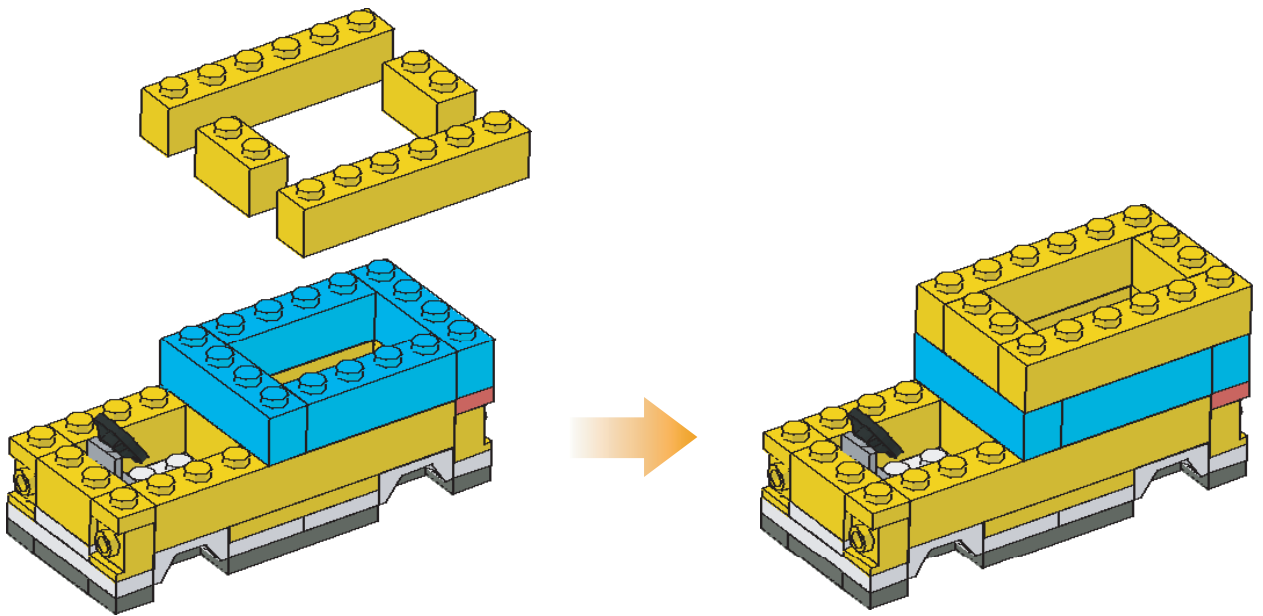




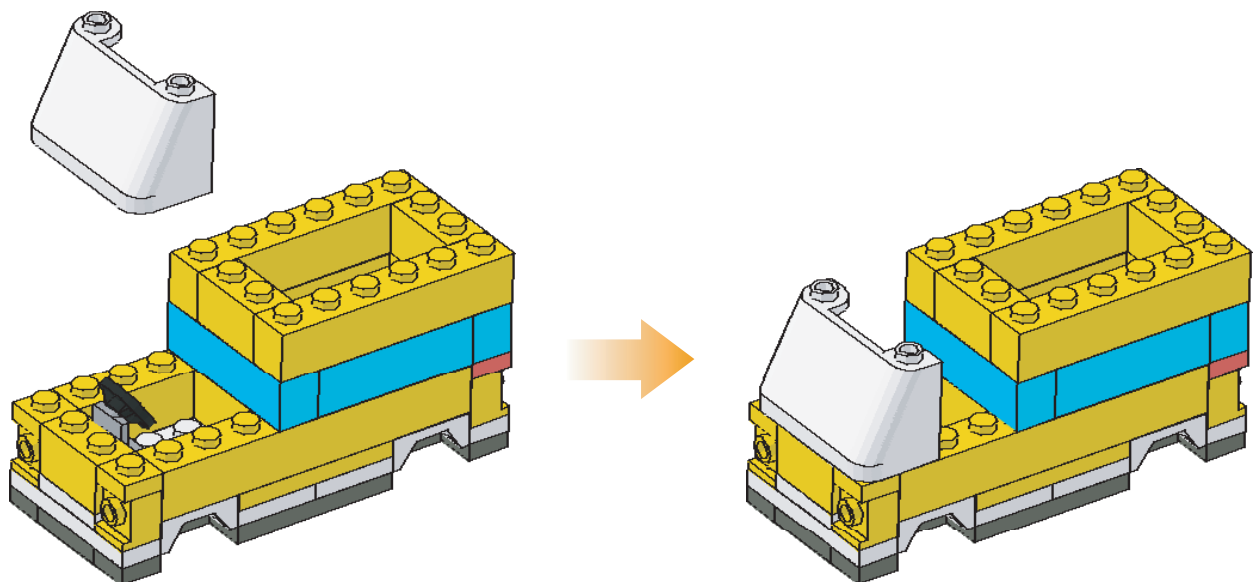
7



8



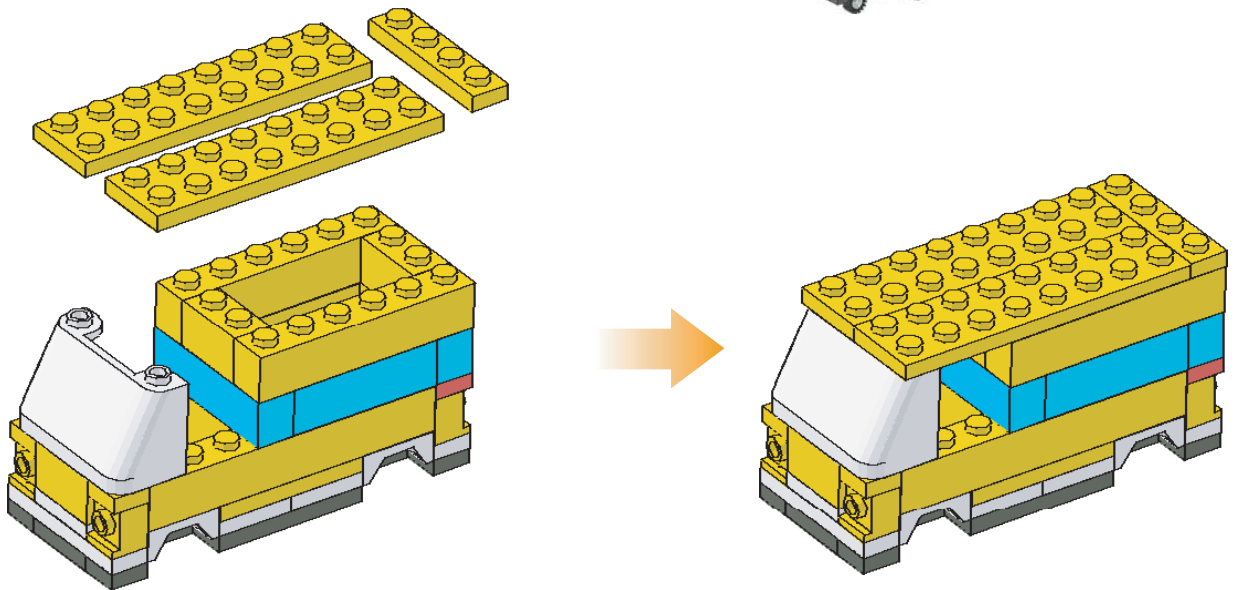
9



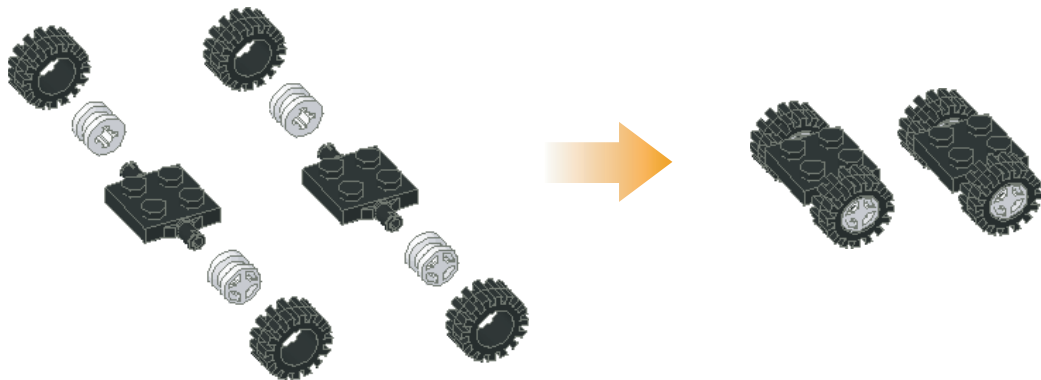


Van

10



11



12

